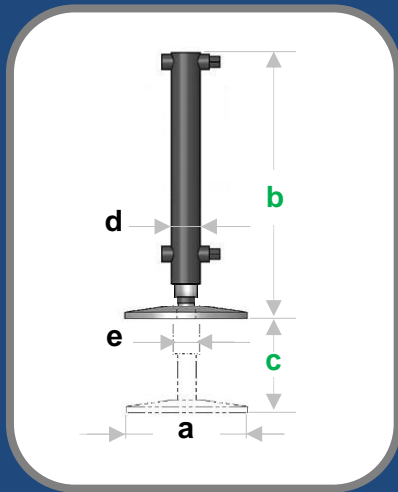


E&P HYDRAULICS INTRODUCES Telescopic jack - EP019 HYD long for the motorhome

The largest range of hydraulic levelsystems
for **CARAVAN** and **MOTORHOME**

- Lifting capacity (per jack) of **2 tonnes**
- Weight 7 Kg.
- Jacks provided with anti-corrosion coating
- Stainless steel footplate
- The solution for low chassis types (e.g. Fiat X250 front end)
- 2 year warranty



a = Diameter footplate 230 mm.

b = Height 350 mm.

c = Stroke 360 mm.

d = Diameter Jack 65 mm.

e = Diameter Cylinder 45 mm.



LEVELSYSTEM

Our new Telescopic jack

- Fast leveling • Hydraulic • Stainless steel footplate
Lightweight • Maintenance free • Easy operating



E&P Hydraulics

www.ep-hydraulics.co.uk